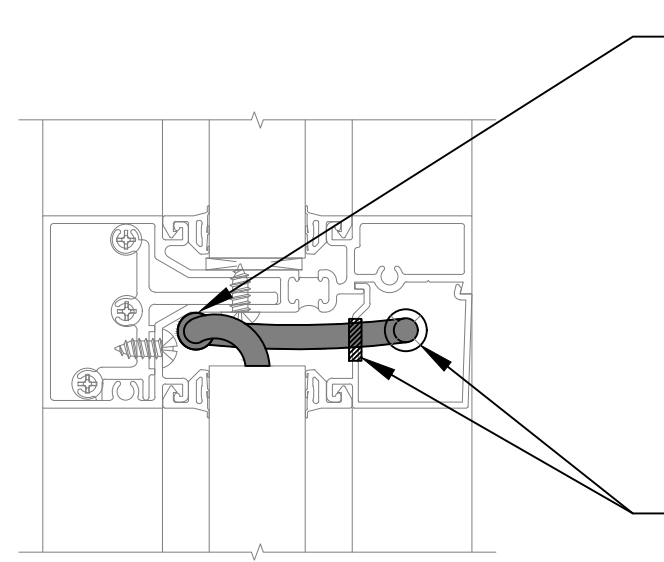


IGU CABLE CONNECTION TO IGU SWC IN GLASS POCKET

MIN. 7/16" DIA. HOLE FOR IGU CABLE TO FILE ALL EDGES SMOOTH. INSTALL SILICONE GROMMET, BACKFILL WITH SILICONE SEALANT.

DETAIL 1  
HEAD

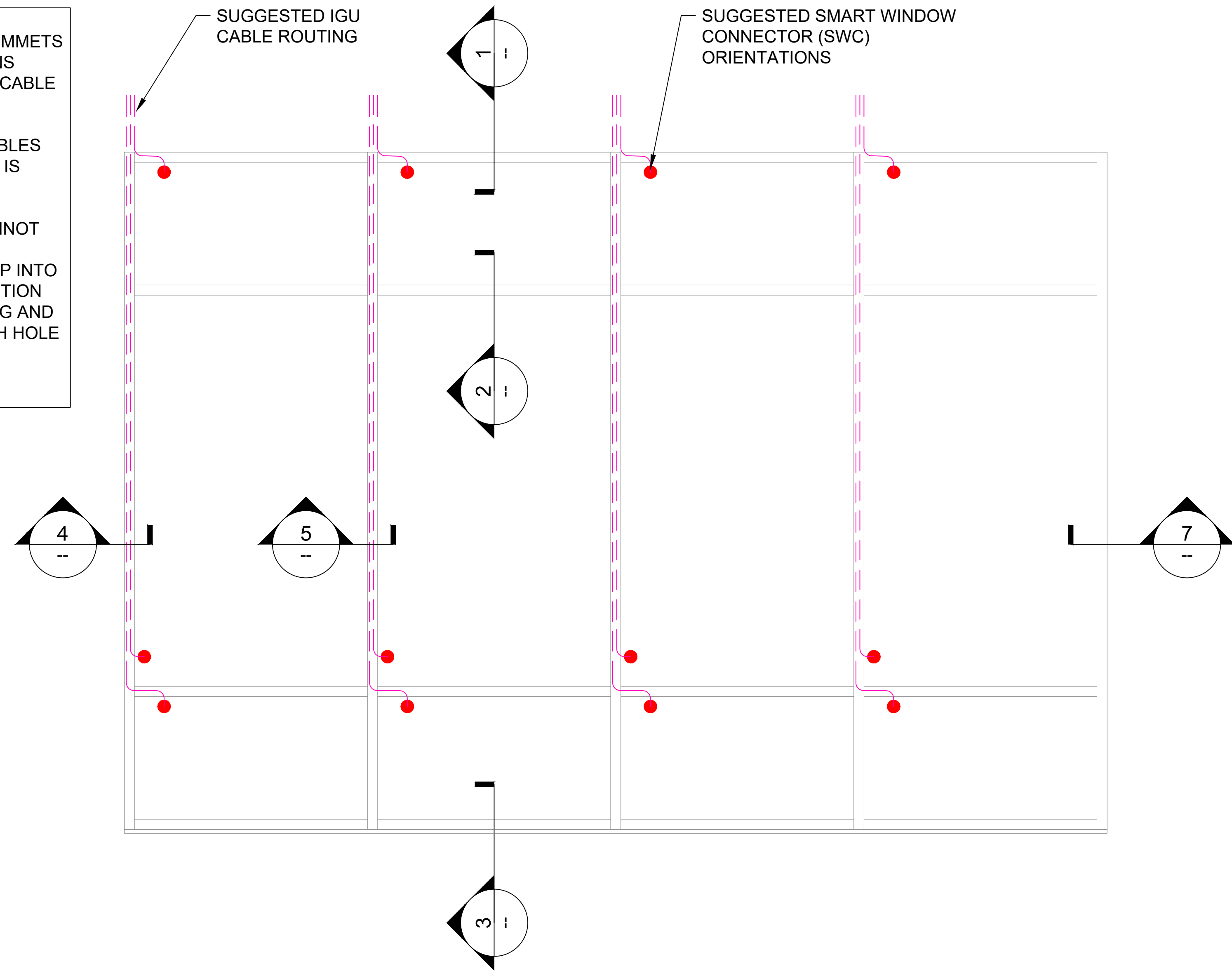


IGU CABLE CONNECTION TO IGU SWC IN GLASS POCKET

MIN. 7/16" DIA. HOLE FOR IGU CABLE TO FILE ALL EDGES SMOOTH. INSTALL SILICONE GROMMET, BACKFILL WITH SILICONE SEALANT.

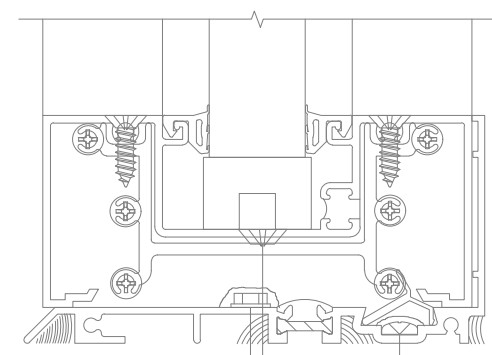
DETAIL 2  
HORIZONTAL MULLION

- NOTES:
1. INSTALLER TO PROVIDE GROMMETS AT ALL FRAME PENETRATIONS WHERE POSSIBLE TO AVOID CABLE DAMAGE.
  2. INSTALLER TO LABEL IGU CABLES WITH IGU NAME TO WHICH IT IS CONNECTED.
  3. WHEN GLAZING POCKET CANNOT ACCOMMODATE IGU/SWC, INCORPORATE SERVICE LOOP INTO IGU CABLING. MAKE CONNECTION TO SWC AS YOU ARE GLAZING AND PUSH CONNECTOR THROUGH HOLE AND INTO MULLION.
  4. NO WIRE ROUTING IN SILL.



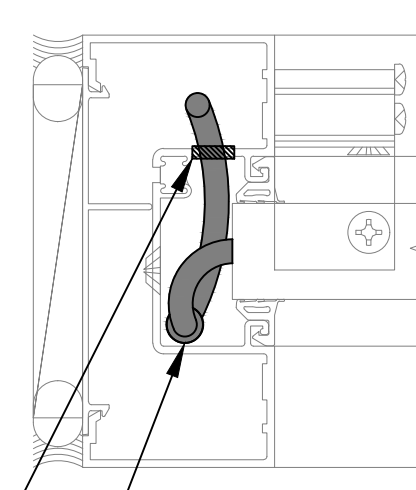
TYPICAL ELEVATION  
SCALE: NONE

NO CABLE ROUTING IN SILL



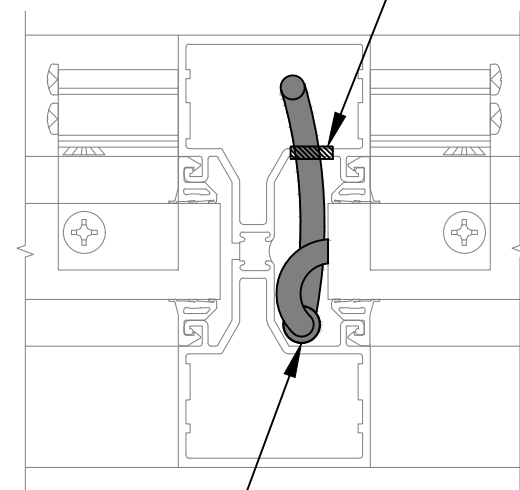
MIN. 7/16" DIA. HOLE FOR IGU CABLE TO FILE ALL EDGES SMOOTH. INSTALL SILICONE GROMMET, BACKFILL WITH SILICONE SEALANT.

DETAIL 3  
SILL



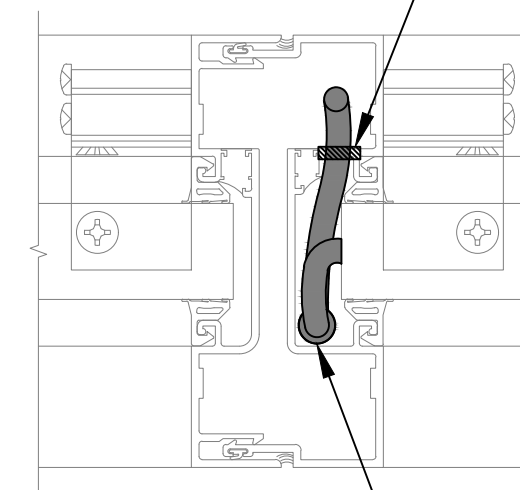
IGU CABLE CONNECTION TO IGU SWC IN GLASS POCKET

DETAIL 4  
LEFT JAMB



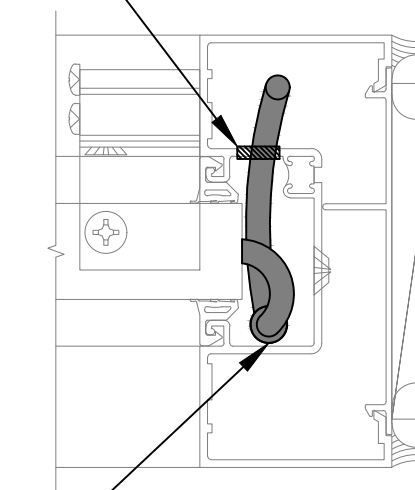
IGU CABLE CONNECTION TO IGU SWC IN GLASS POCKET

DETAIL 5  
VERTICAL MULLION



IGU CABLE CONNECTION TO IGU SWC IN GLASS POCKET

DETAIL 6  
VERTICAL MULLION



DETAIL 7  
RIGHT JAMB

MIN. 7/16" DIA. HOLE FOR IGU CABLE TO FILE ALL EDGES SMOOTH. INSTALL SILICONE GROMMET, BACKFILL WITH SILICONE SEALANT.

MIN. 7/16" DIA. HOLE FOR IGU CABLE TO FILE ALL EDGES SMOOTH. INSTALL SILICONE GROMMET, BACKFILL WITH SILICONE SEALANT.

1 INSTALLATION DETAILS: FOR EFCO - 403T-2 (SHEAR)